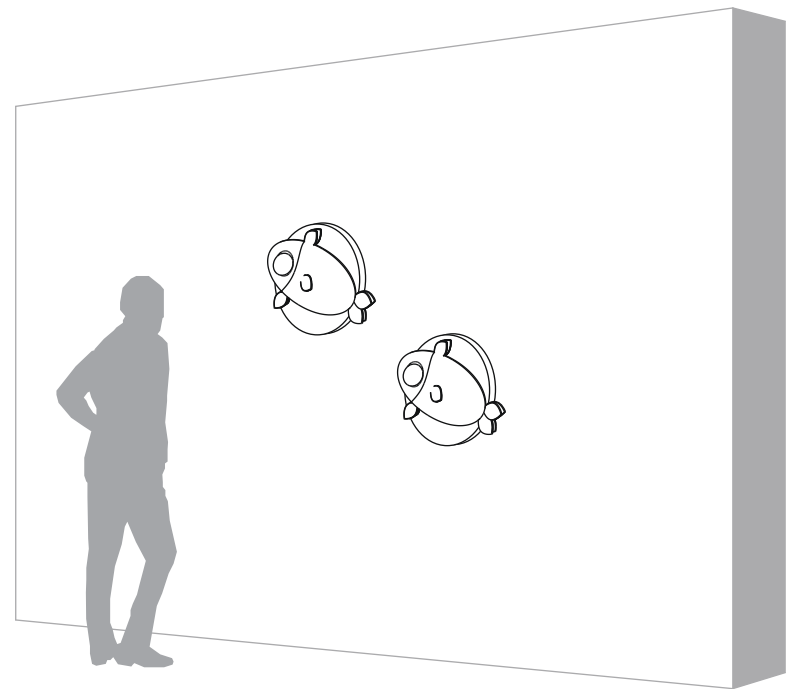


# APRILE

**AP132 1B INT**

**220-240 V.  
max 1x52W E27**

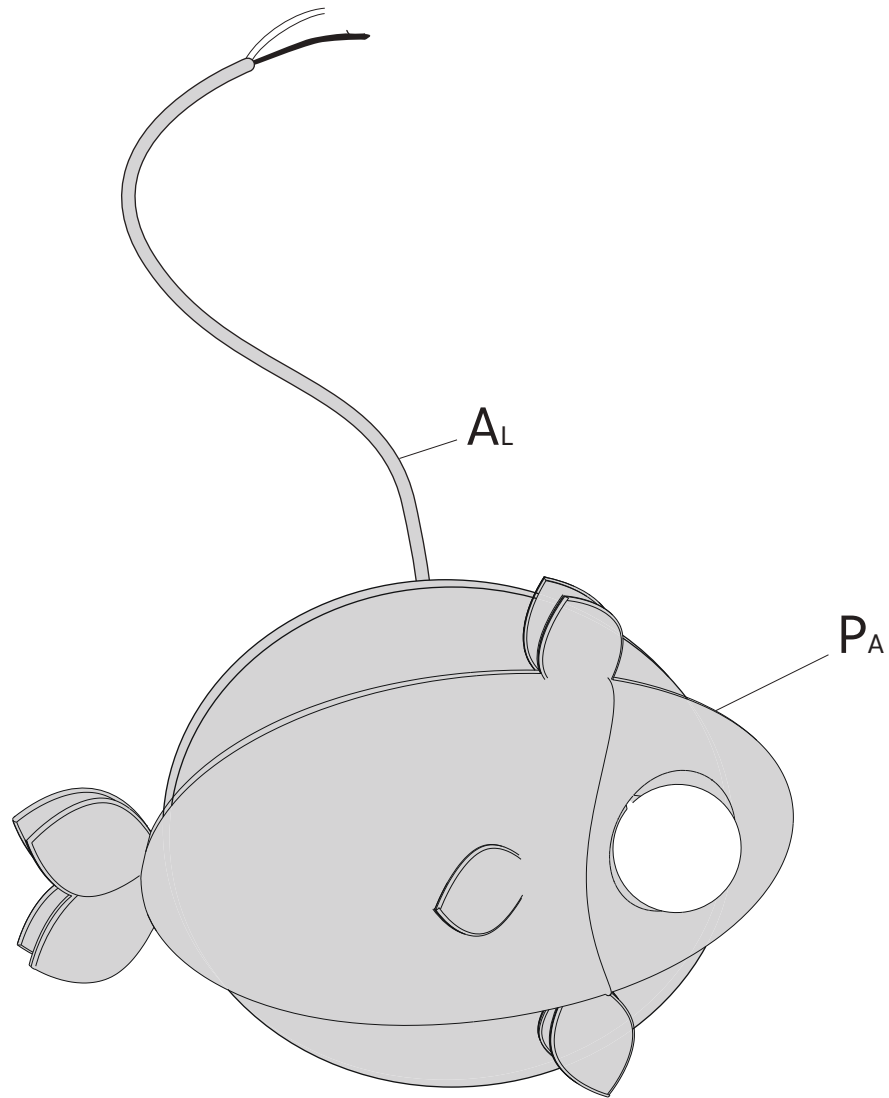


Karman srl

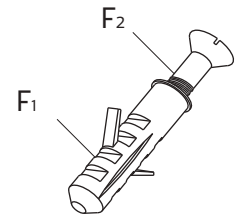
Via A. Grandi, San Martino del piano, 61034 Fossombrone (PU), Italy - p.iva 02175640412 tel +39 0721 71 5042 r.a fax +39 0721 716640 - [www.karmanitalia.it](http://www.karmanitalia.it)



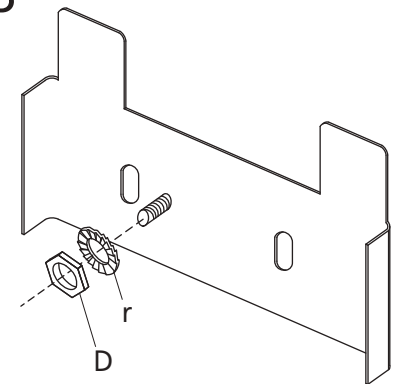
# C - 01

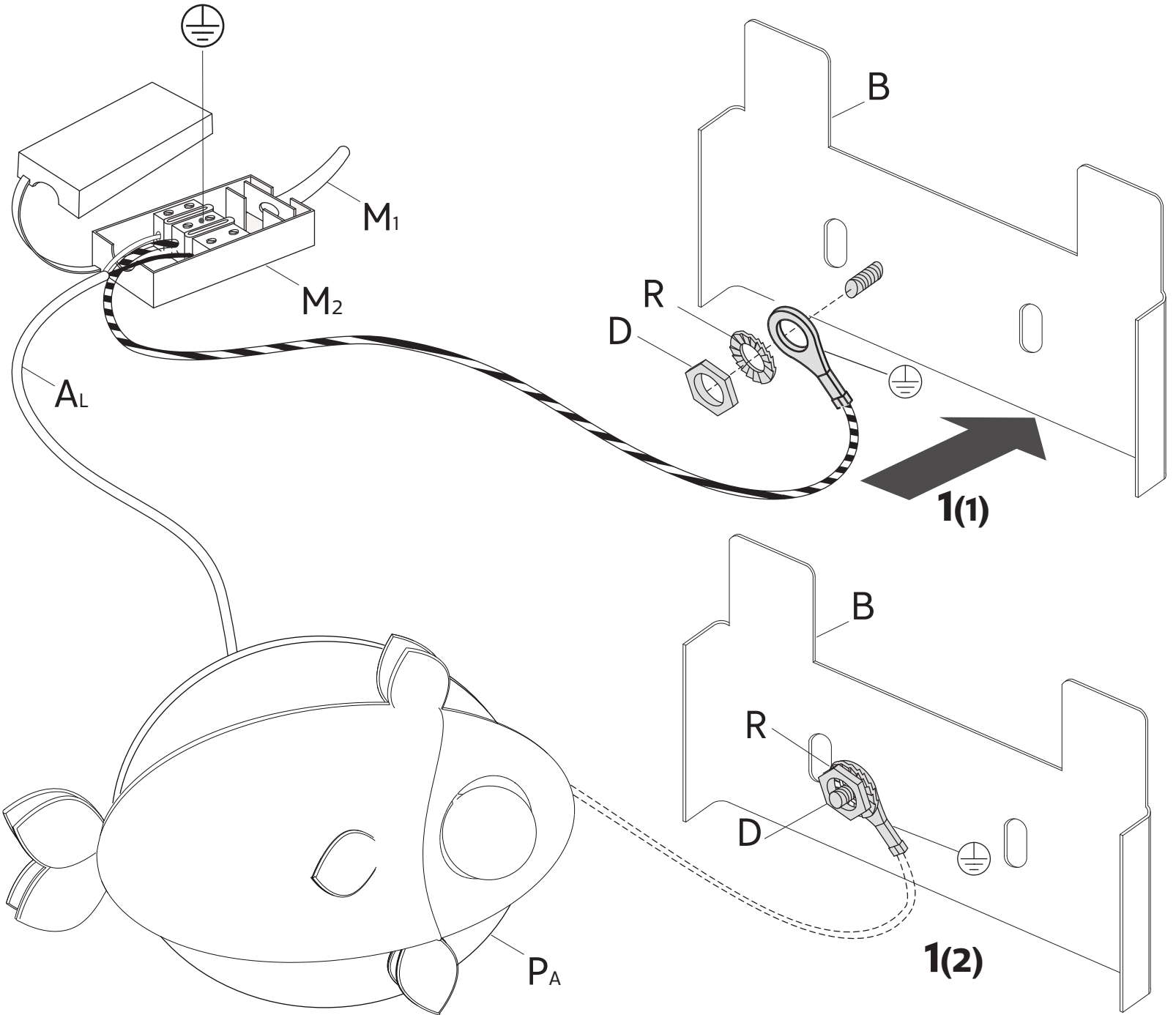


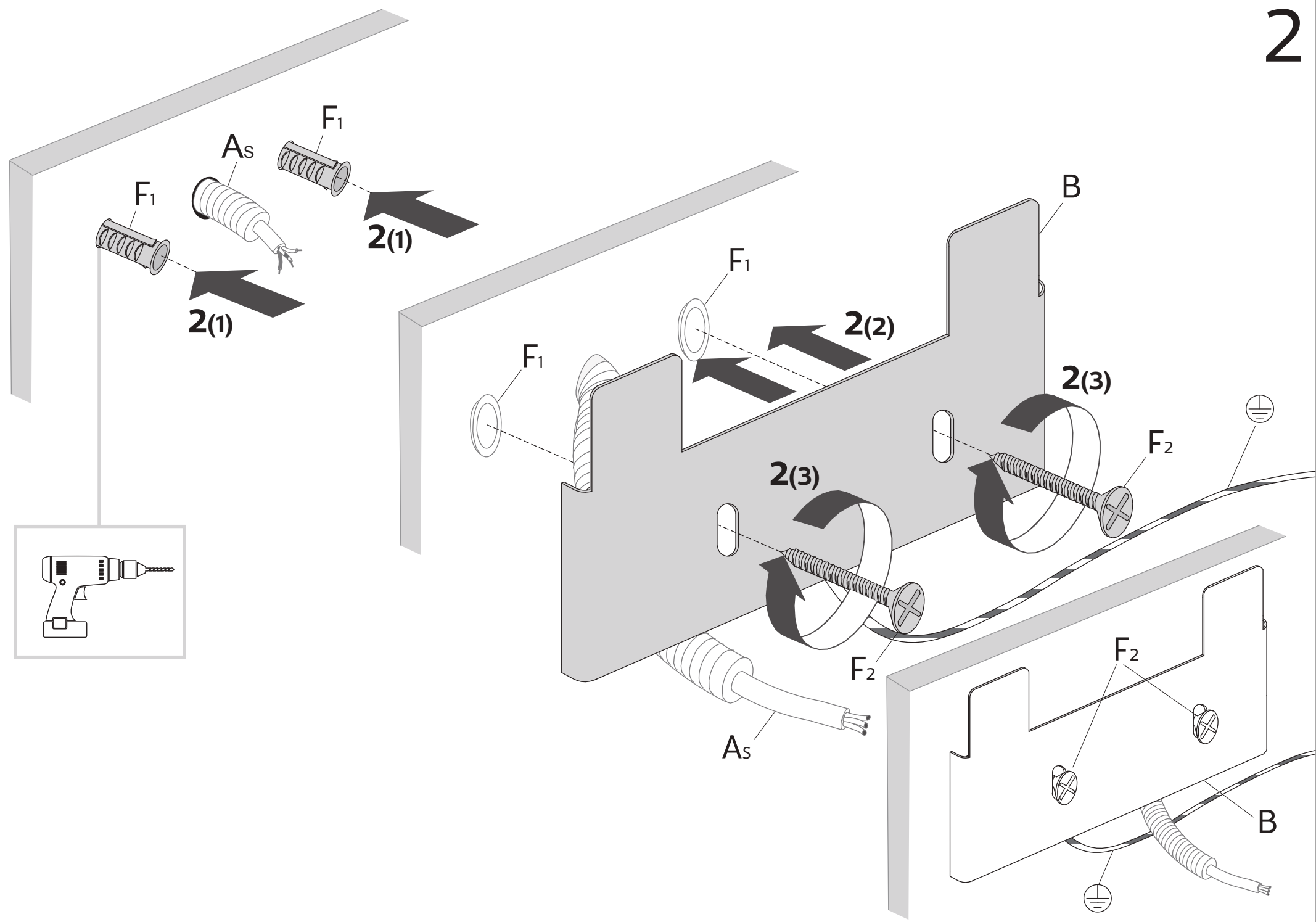
2x **F**

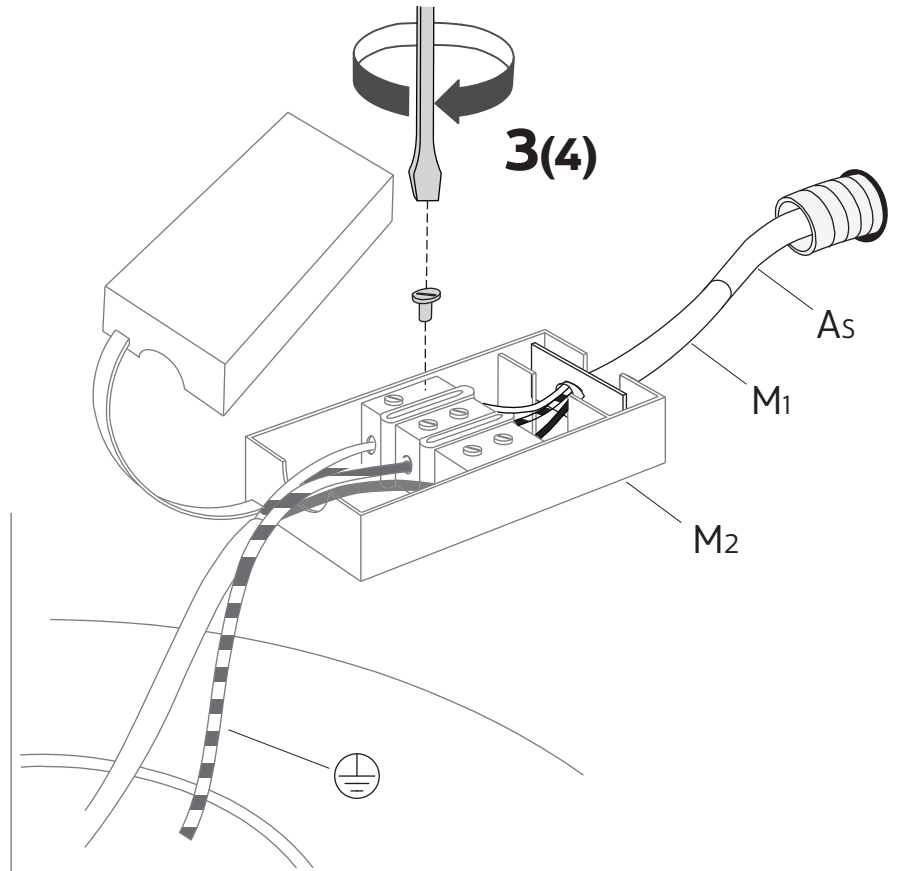
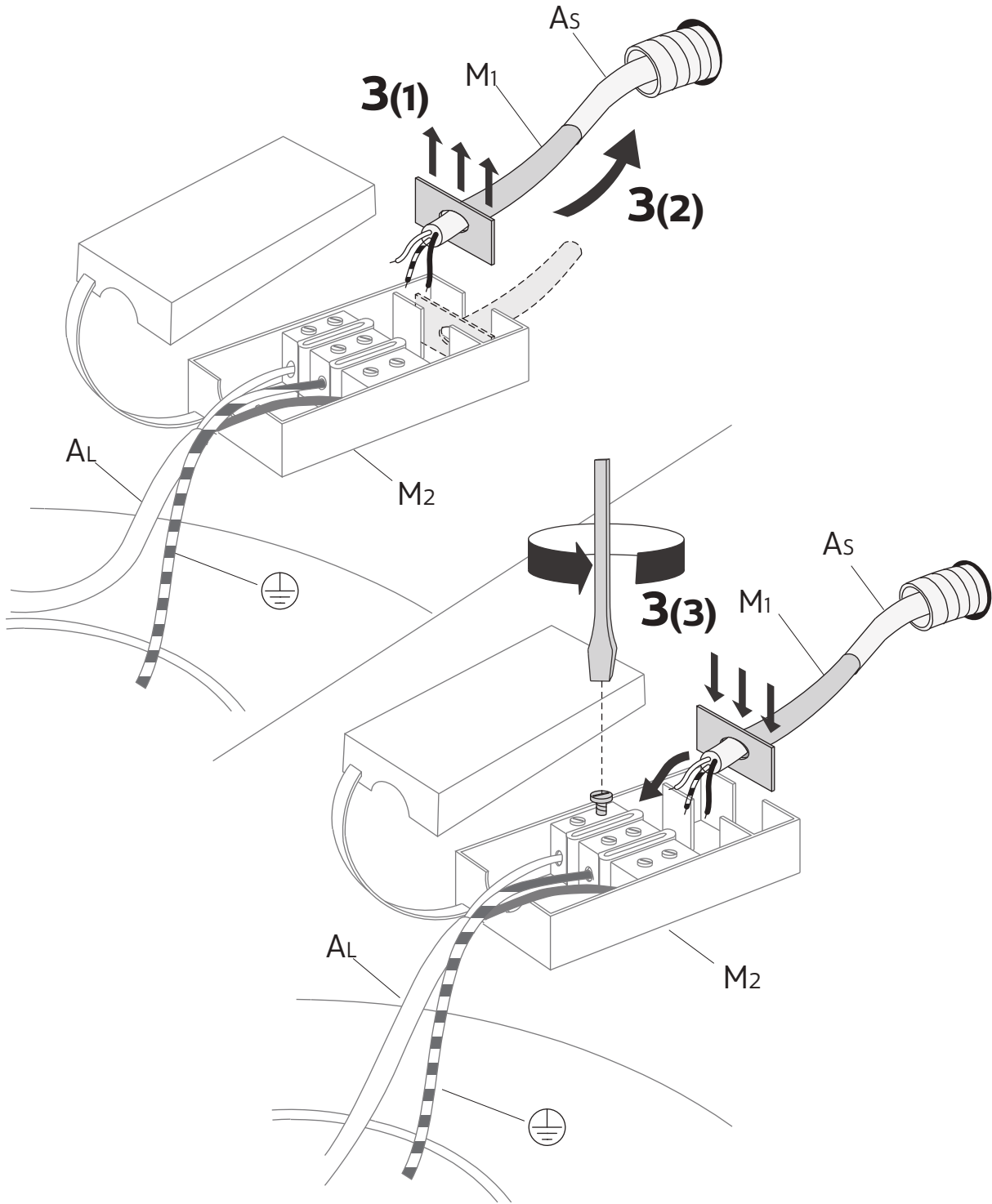


1x **B**

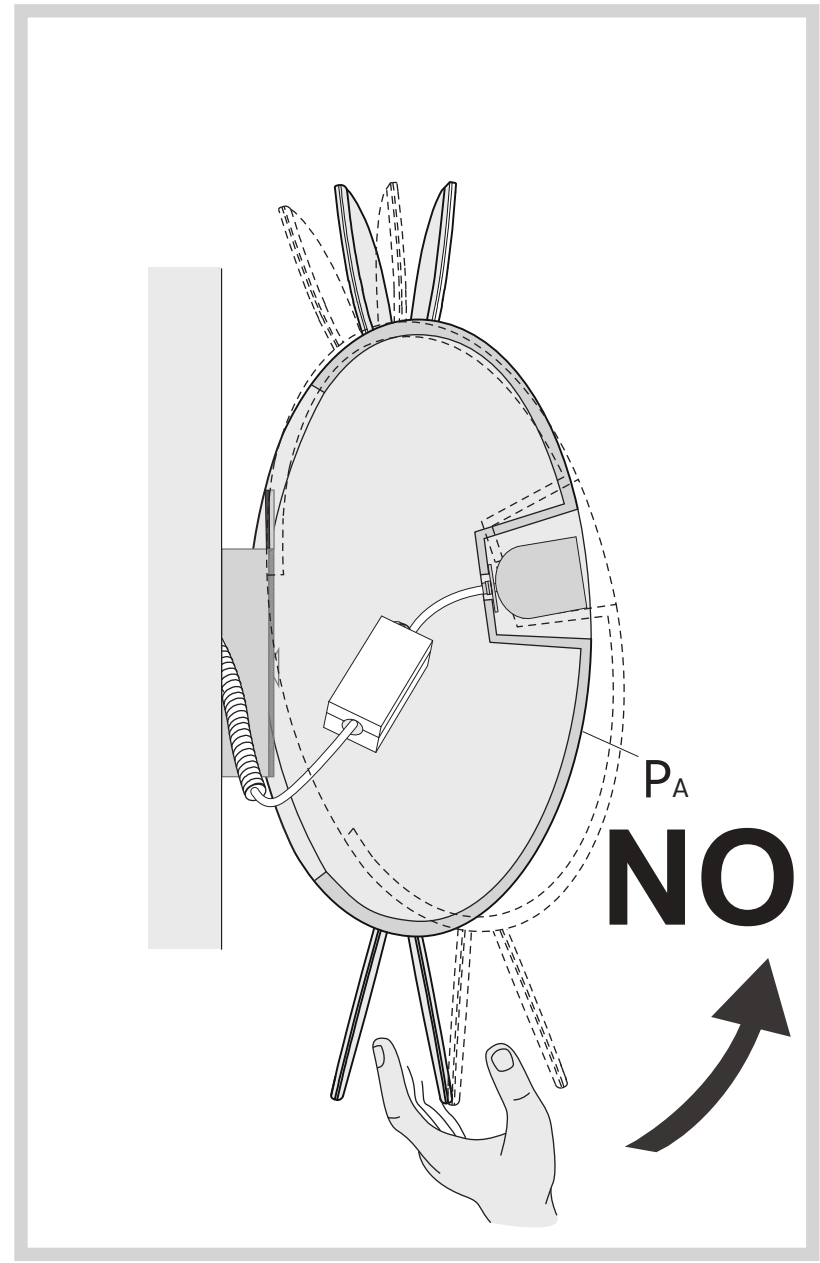
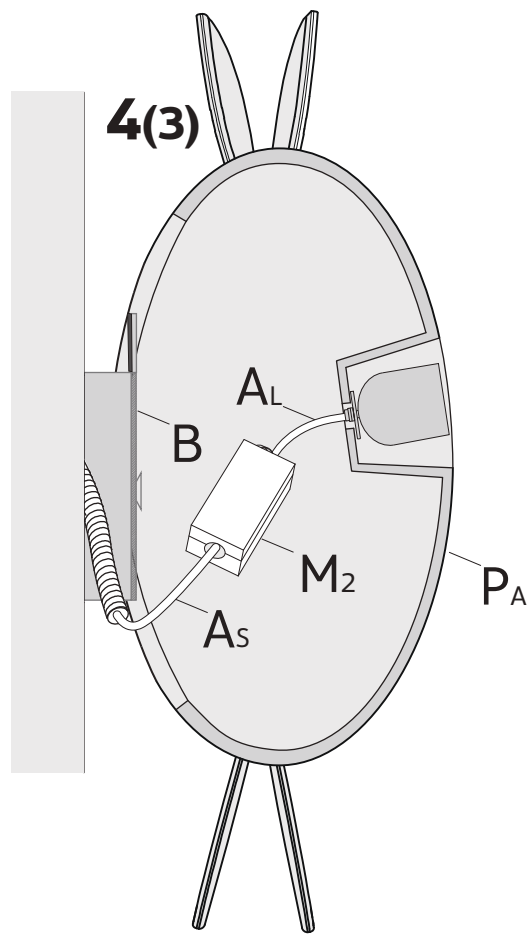
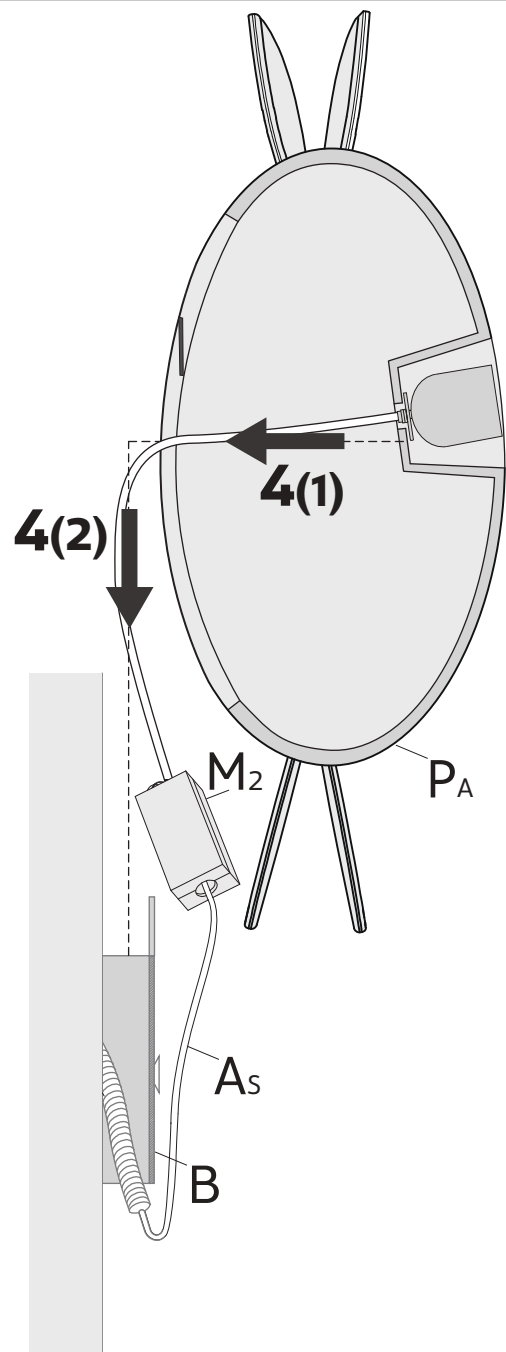


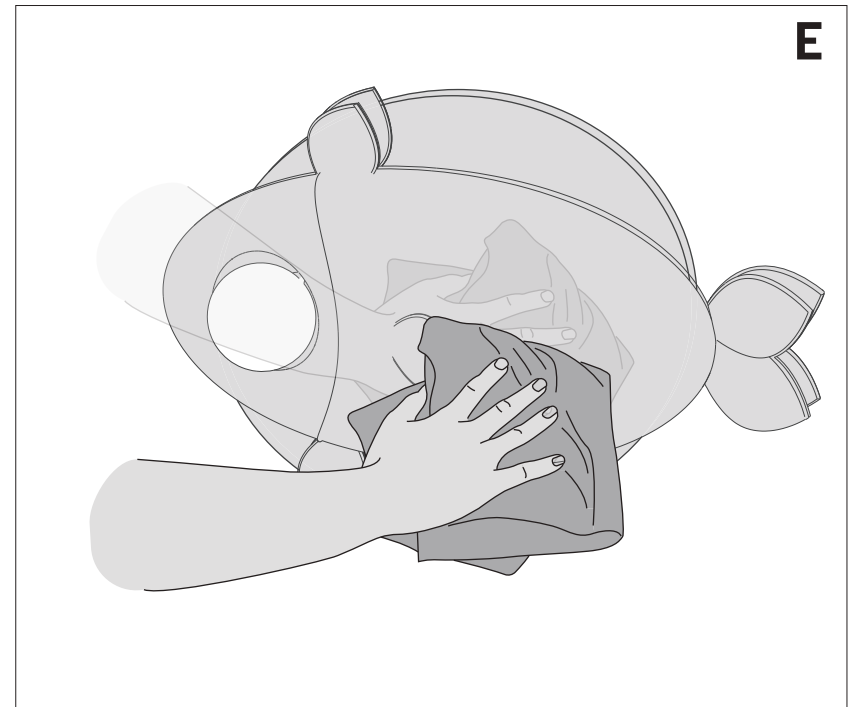
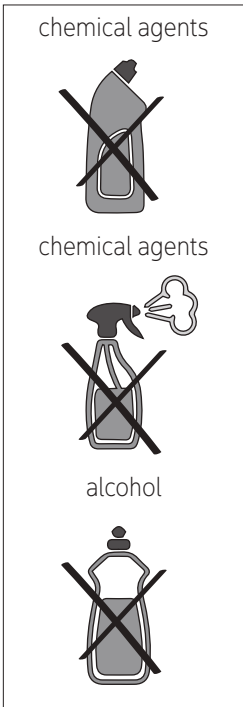
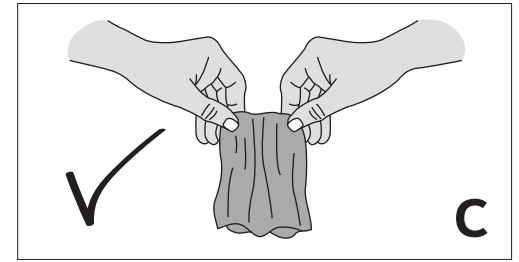
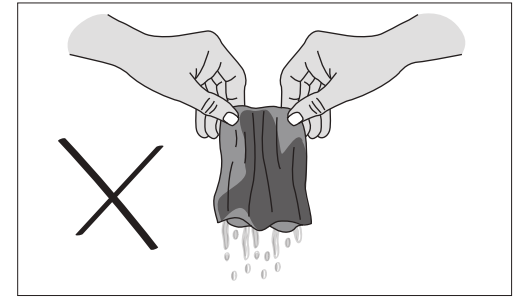
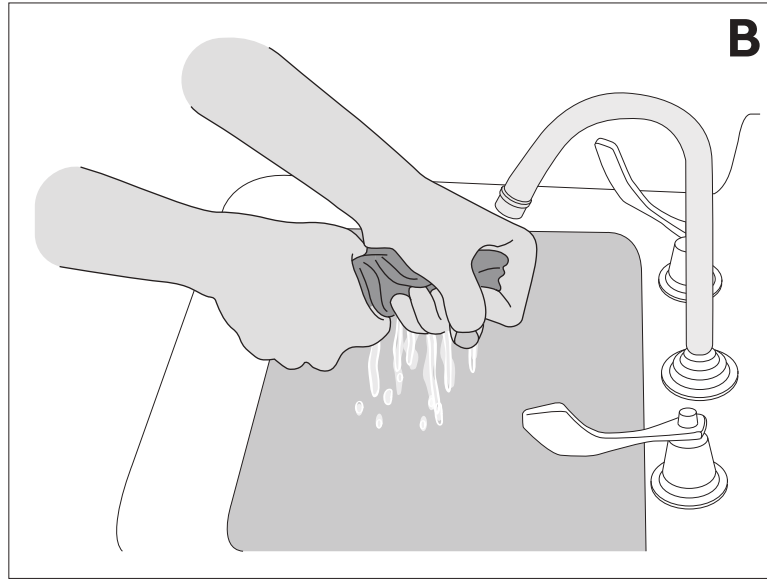




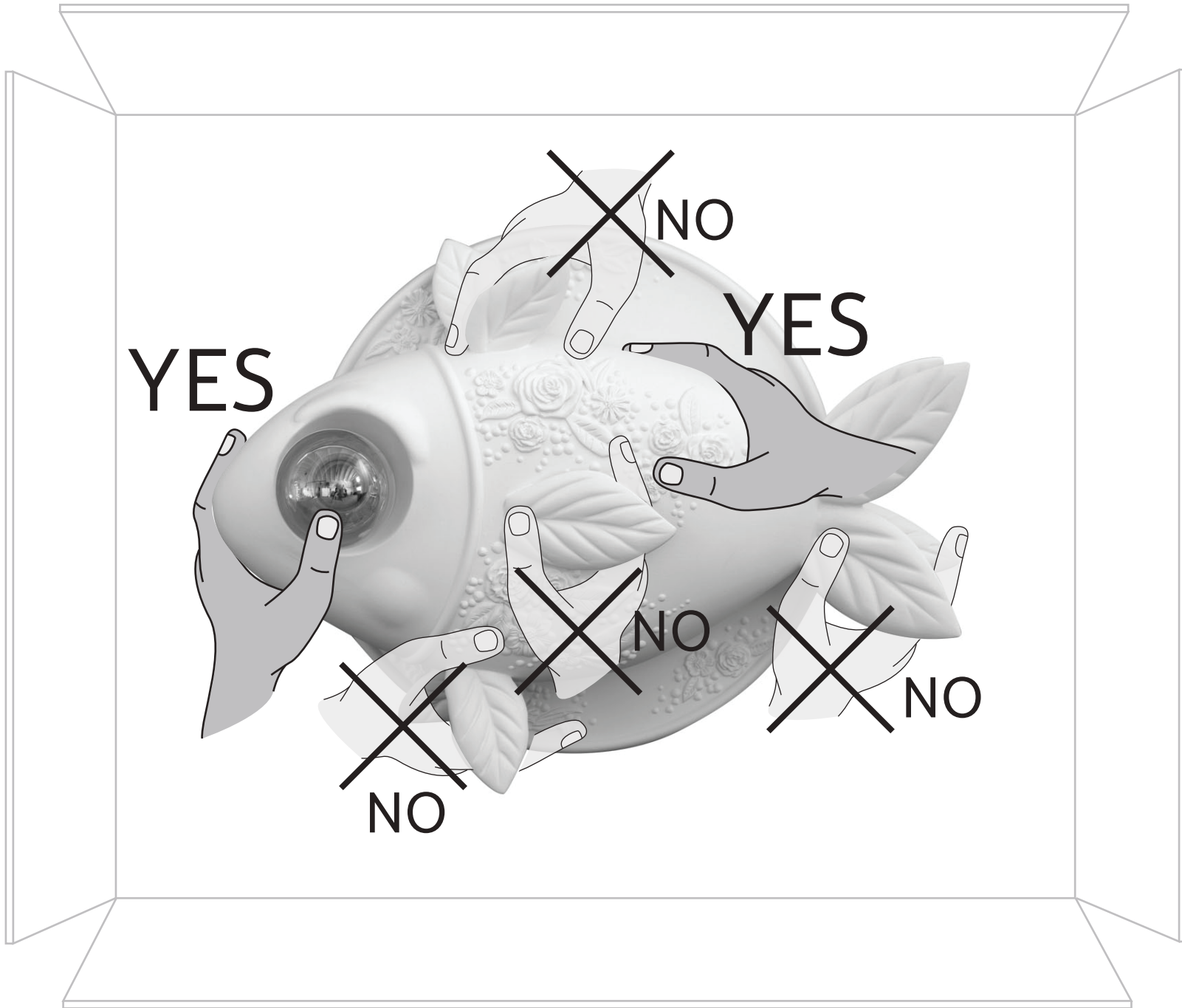












YES

~~NO~~

YES

~~NO~~

~~NO~~

~~NO~~